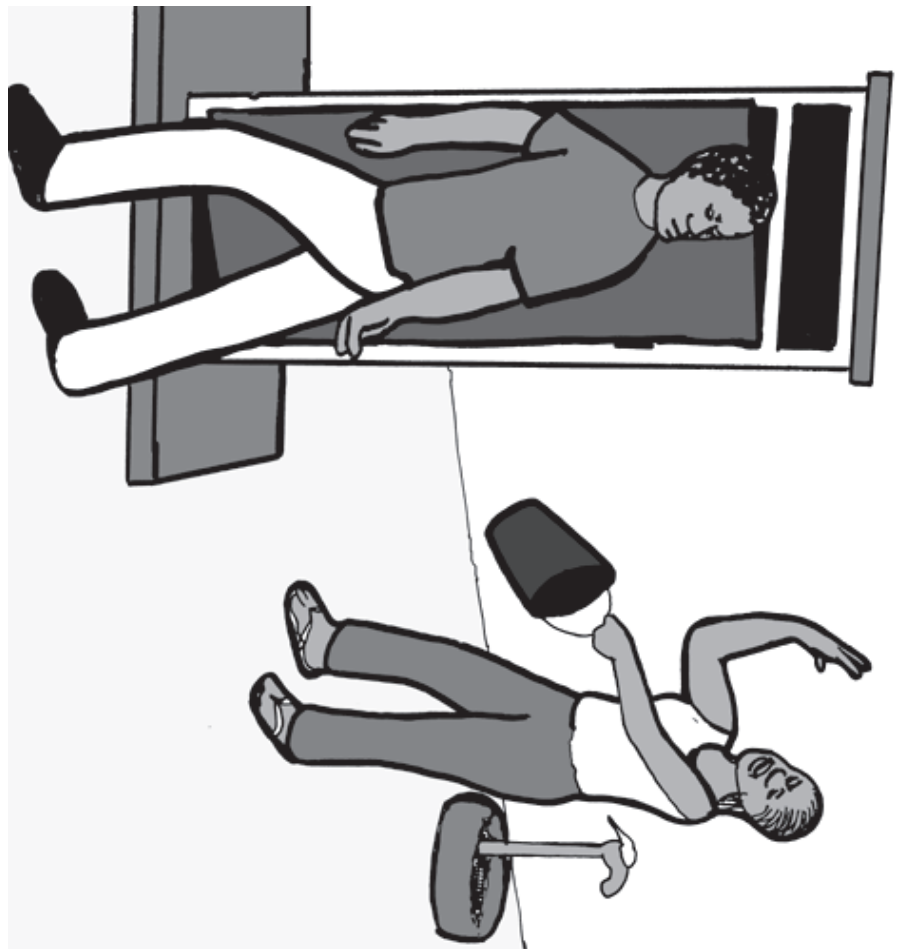
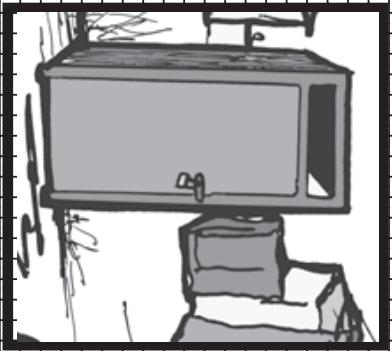


Visual Aids developed by J. Waterkeyn, (Africa AHEAD) for City Health Department, Cape Town, 2007.
 Funded by Danida / Hygiene Promotion Partnership.
 Illustrator: J. Waterkeyn



SANITATION

S12

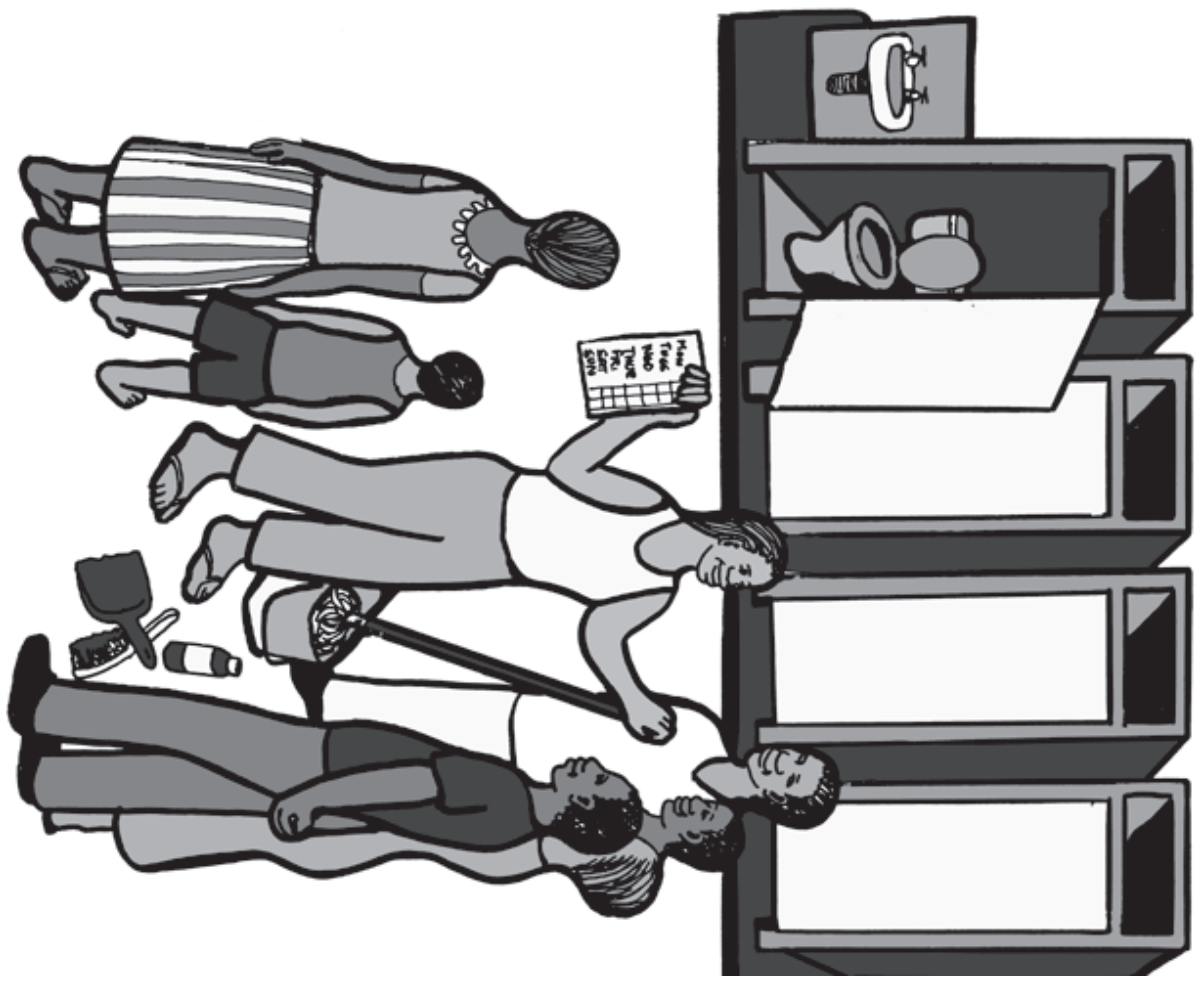
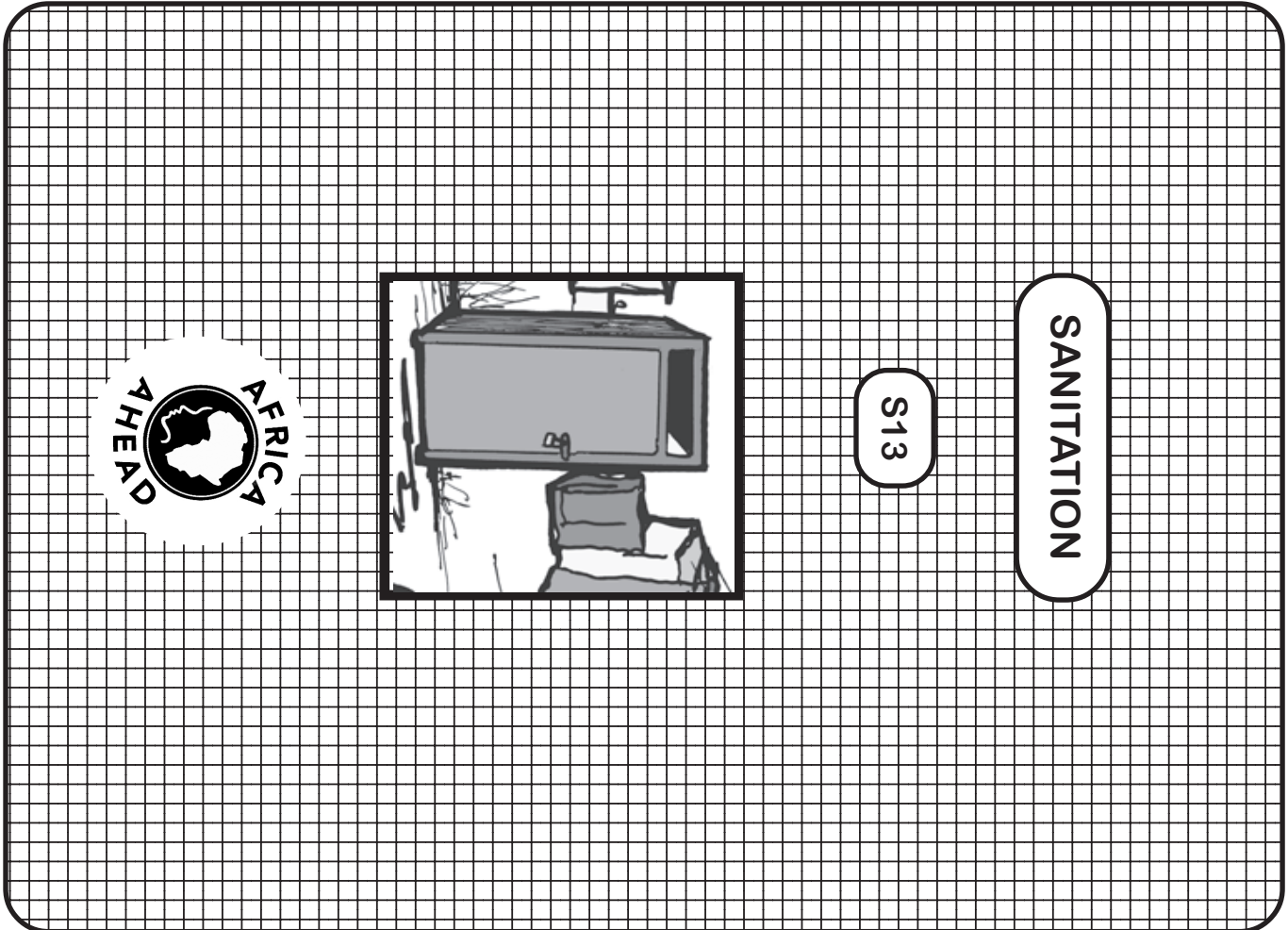


Visual Aids developed by J. Waterkeyn, (Africa AHEAD) for City Health Department, Cape Town, 2007.
Funded by Danida / Hygiene Promotion Partnership.
Illustrator: T. Waterkeyn

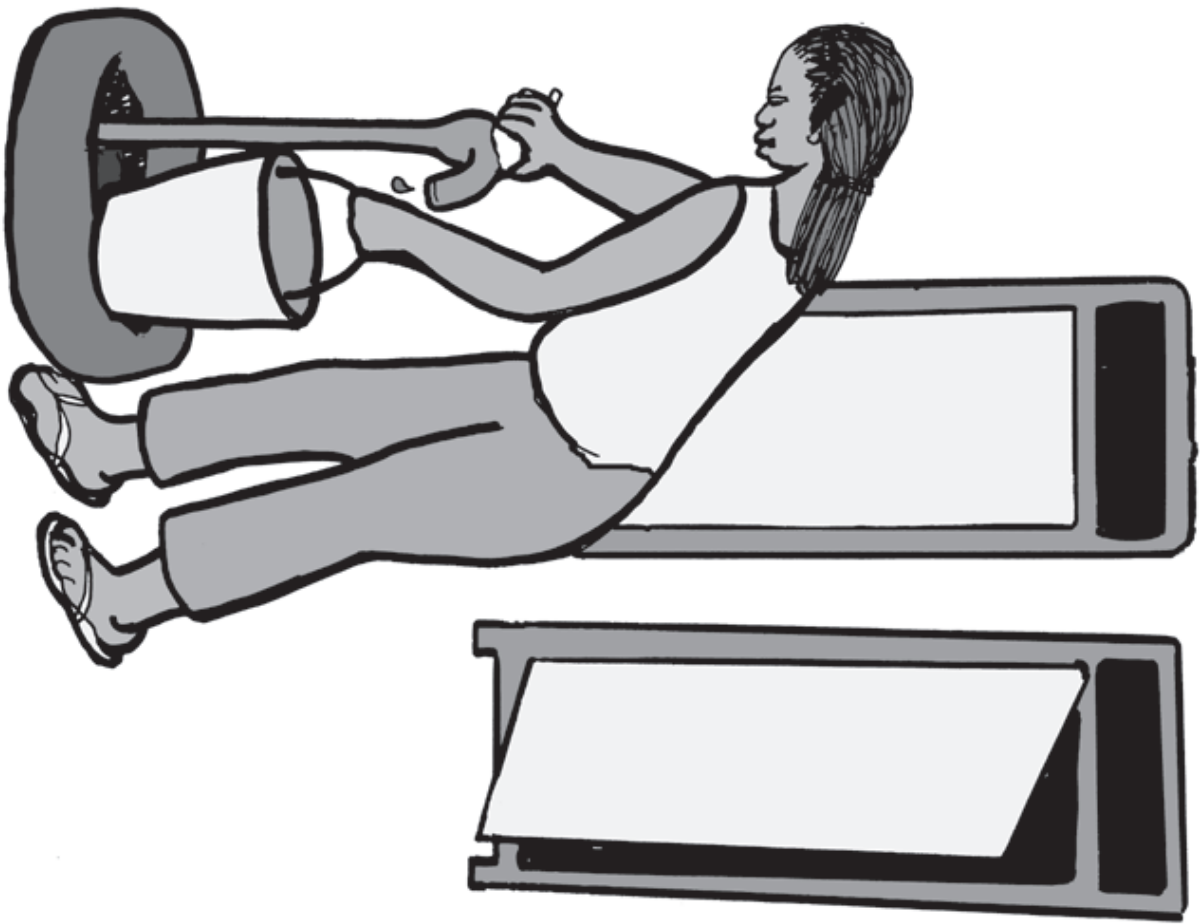
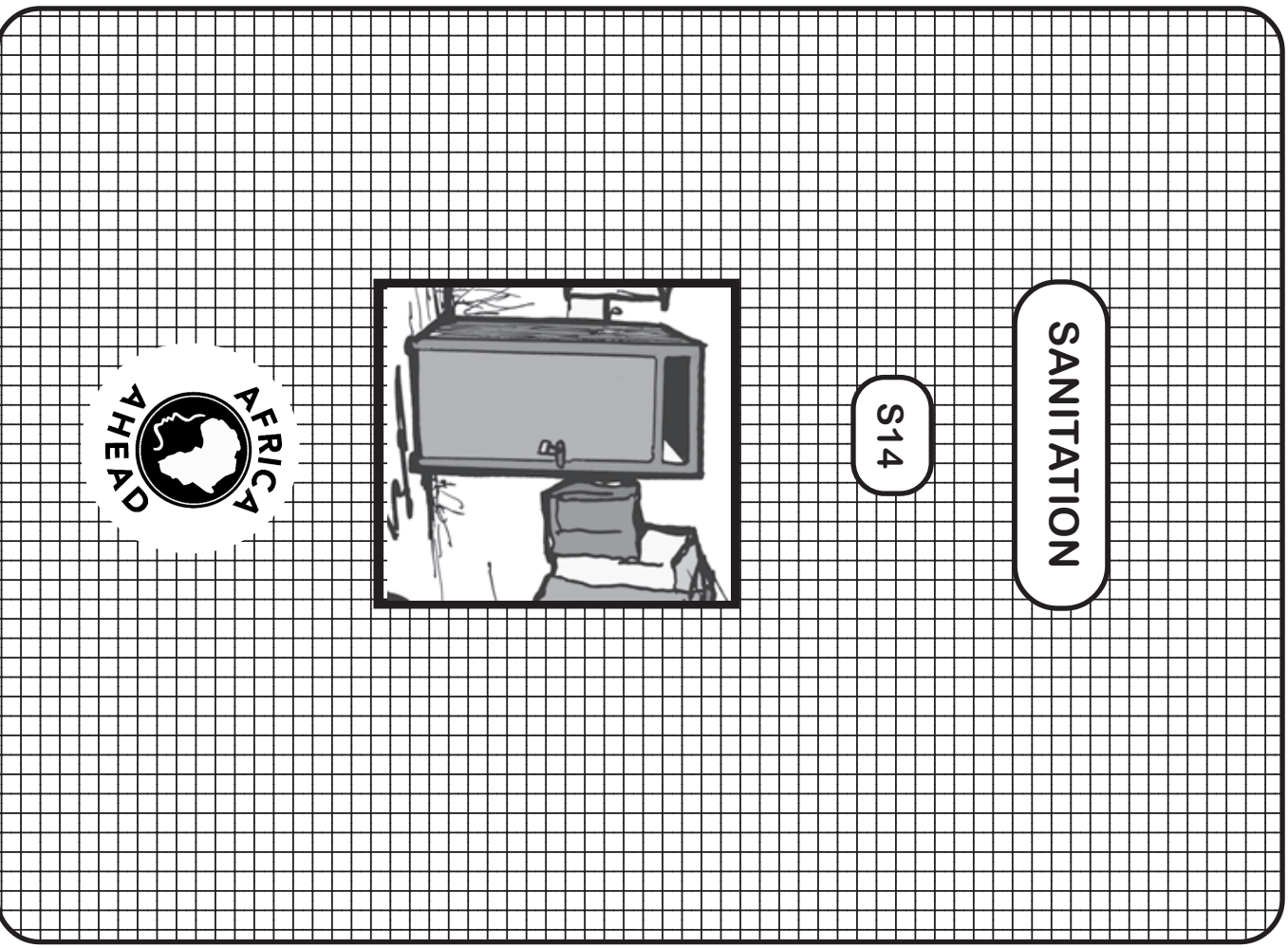


SANITATION

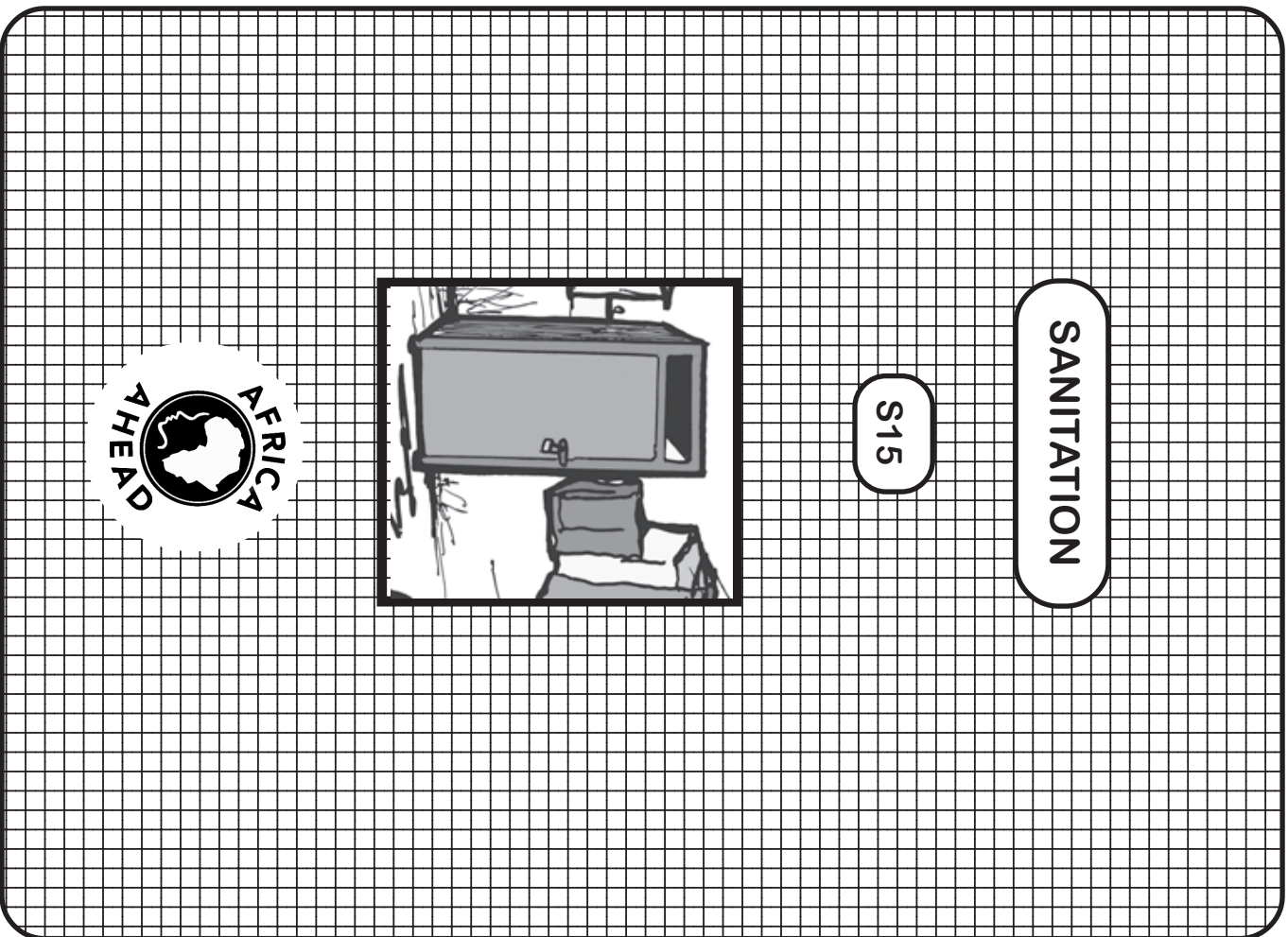
S13



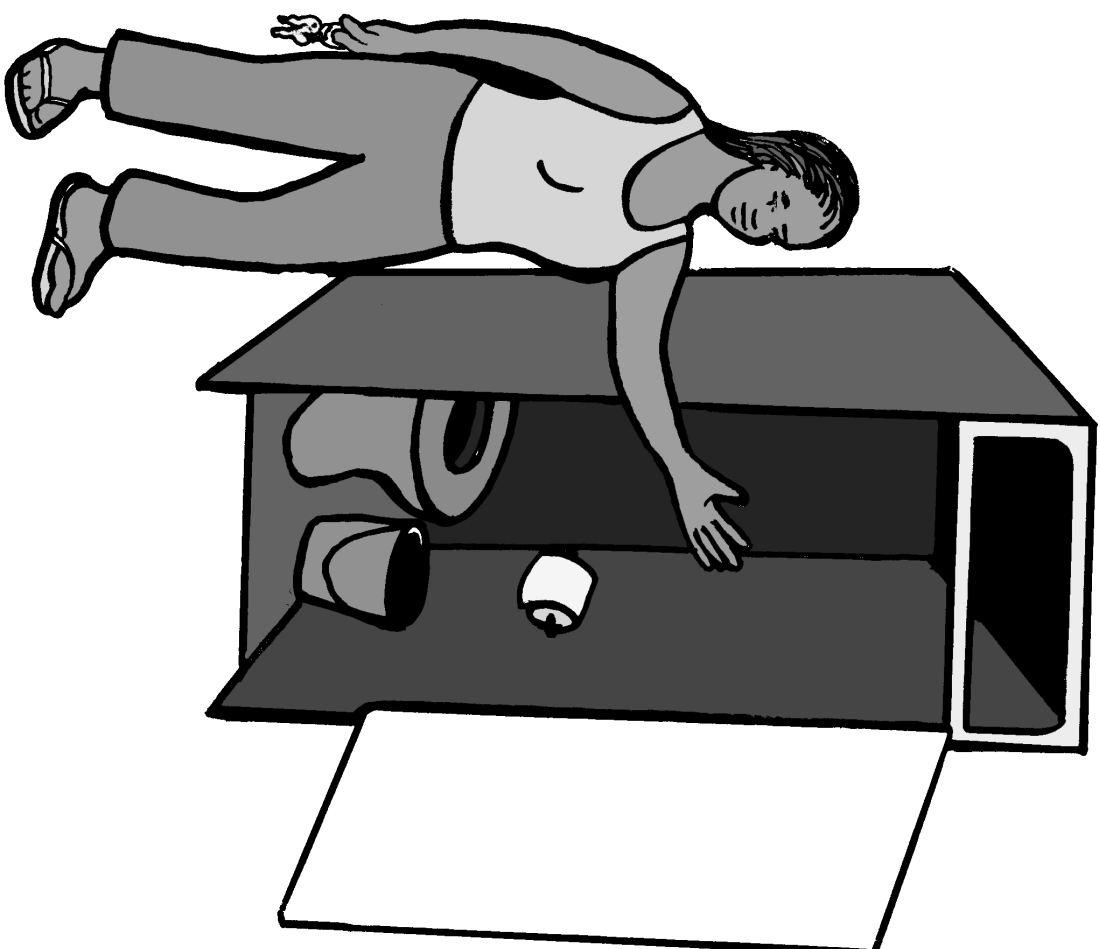
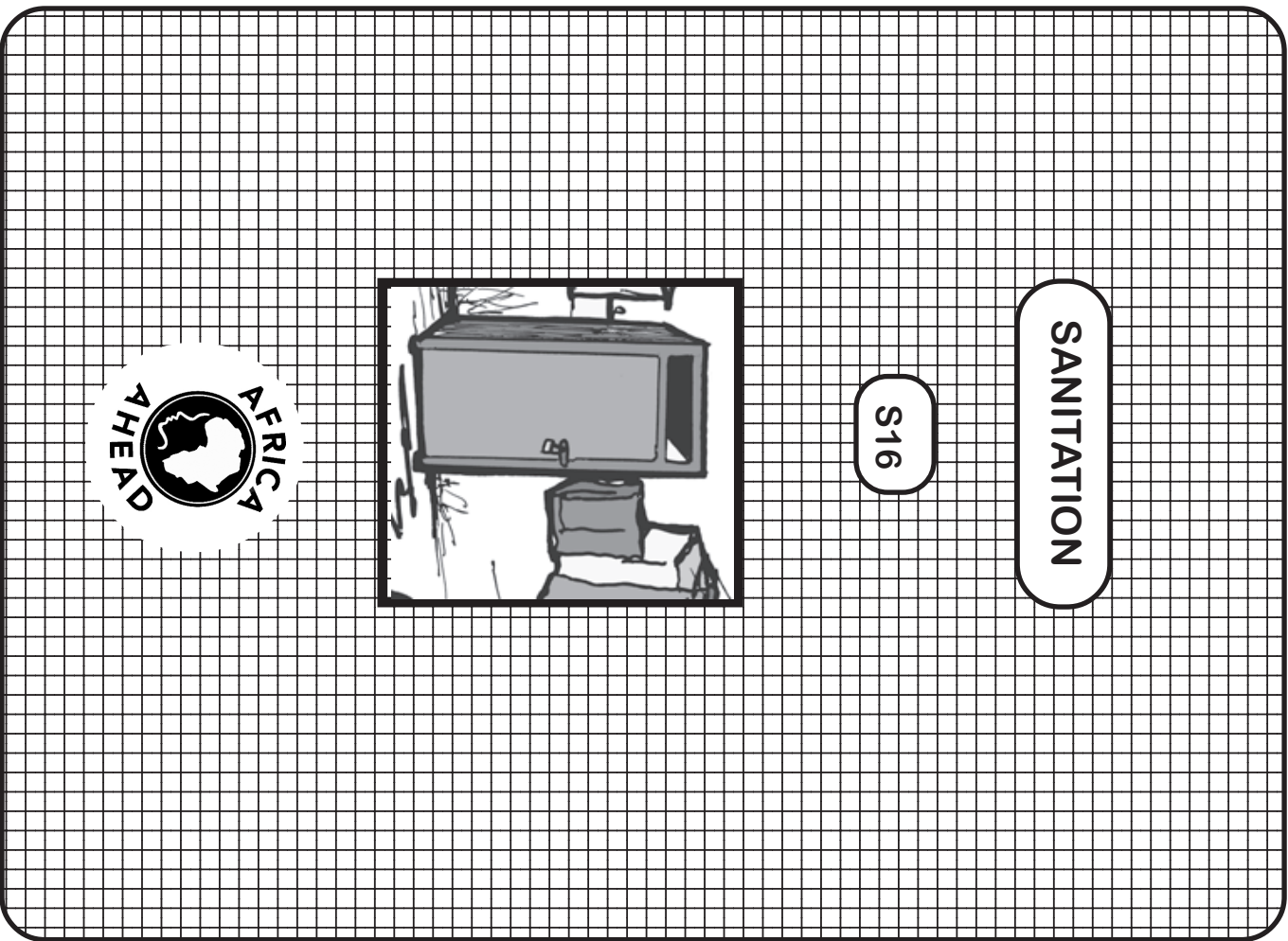
Visual Aids developed by J. Waterkeyn, (Africa AHEAD) for City Health Department, Cape Town, 2007.
Funded by Danida / Hygiene Promotion Partnership.
Illustrator: T. Waterkeyn



Visual Aids developed by J. Waterkeyn, (Africa AHEAD) for City Health Department, Cape Town, 2007.
Funded by Danida / Hygiene Promotion Partnership.
Illustrator: J. Waterkeyn



Visual Aids developed by J. Waterkeyn, (Africa AHEAD) for City Health Department, Cape Town, 2007.
Funded by Danida / Hygiene Promotion Partnership.
Illustrator: J. Waterkeyn

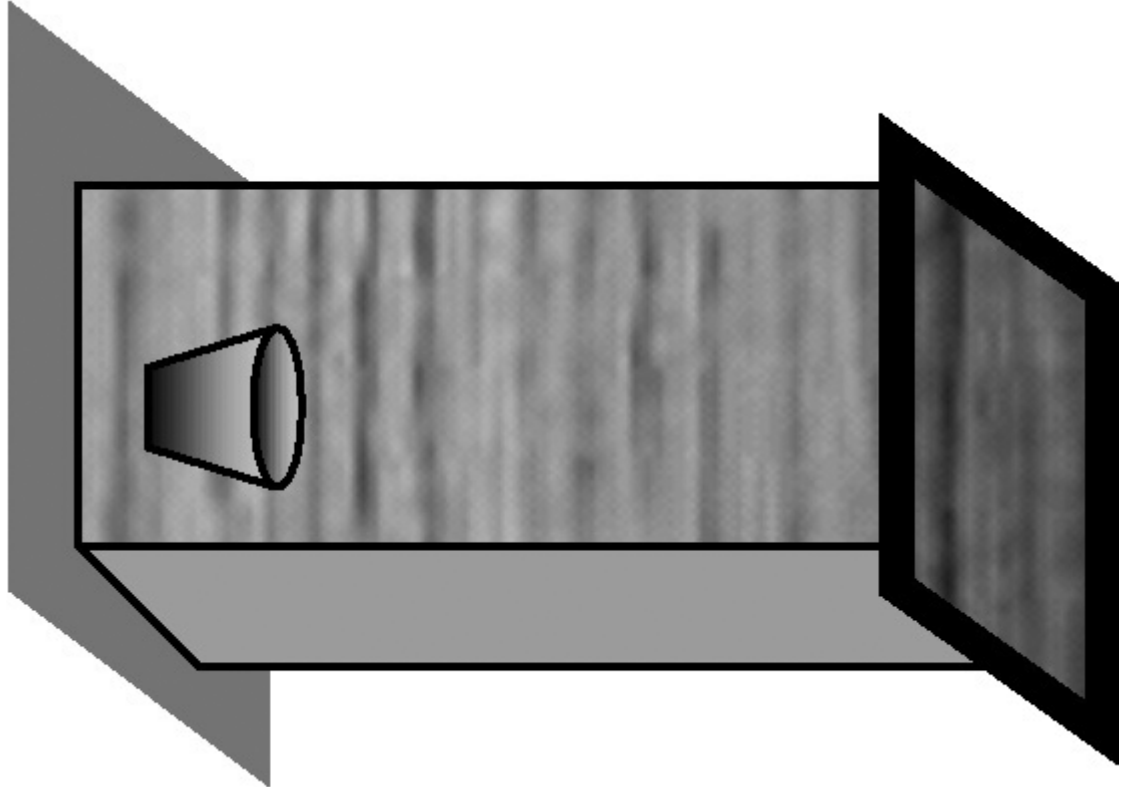
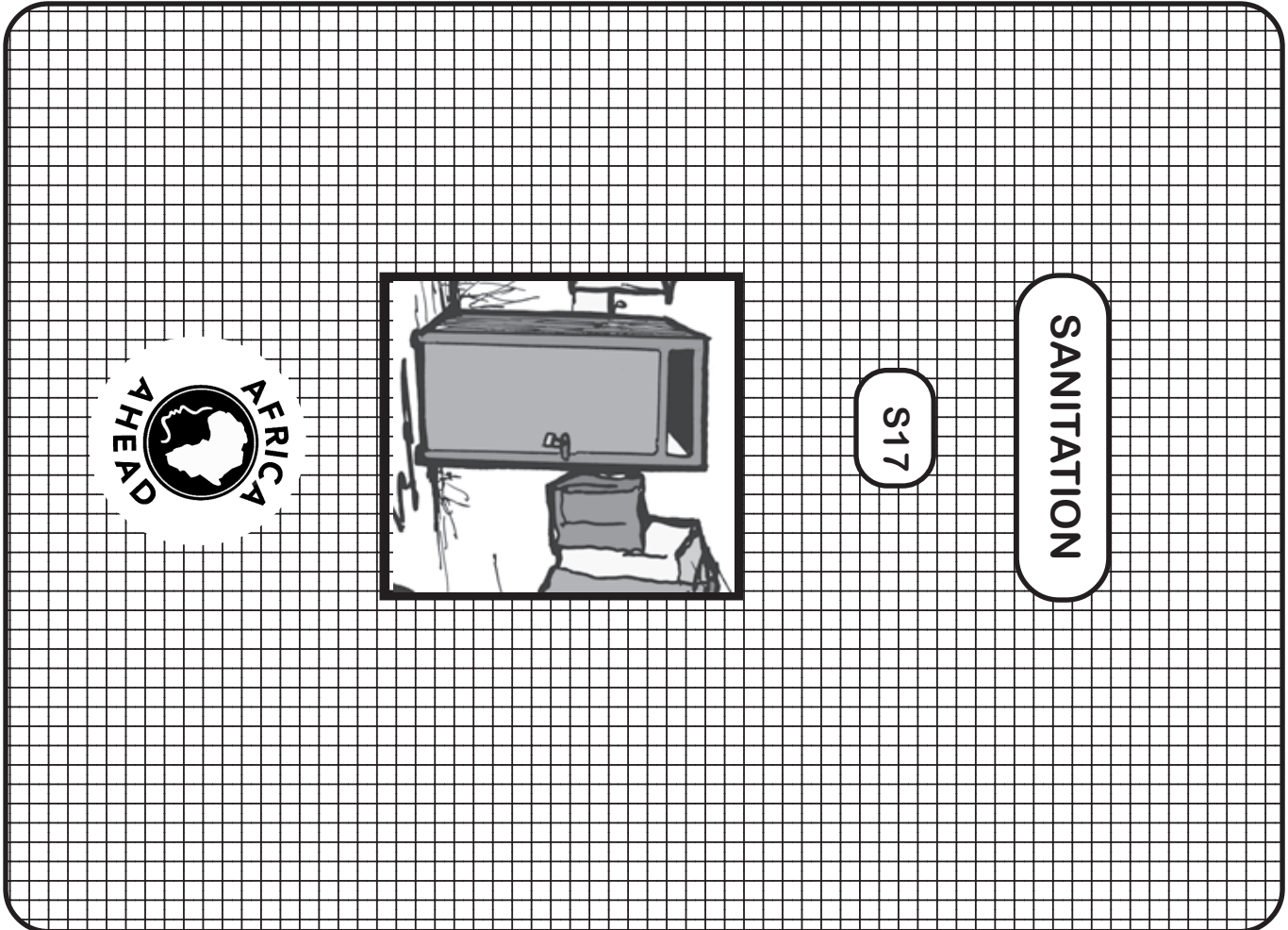
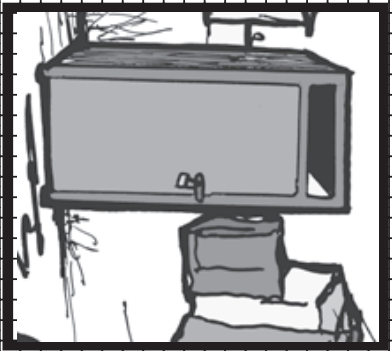


Visual Aids developed by J. Waterkeyn, (Africa AHEAD) for City Health Department, Cape Town, 2007.
 Funded by Danida / Hygiene Promotion Partnership.
 Illustrator: T. Waterkeyn



SANITATION

S17



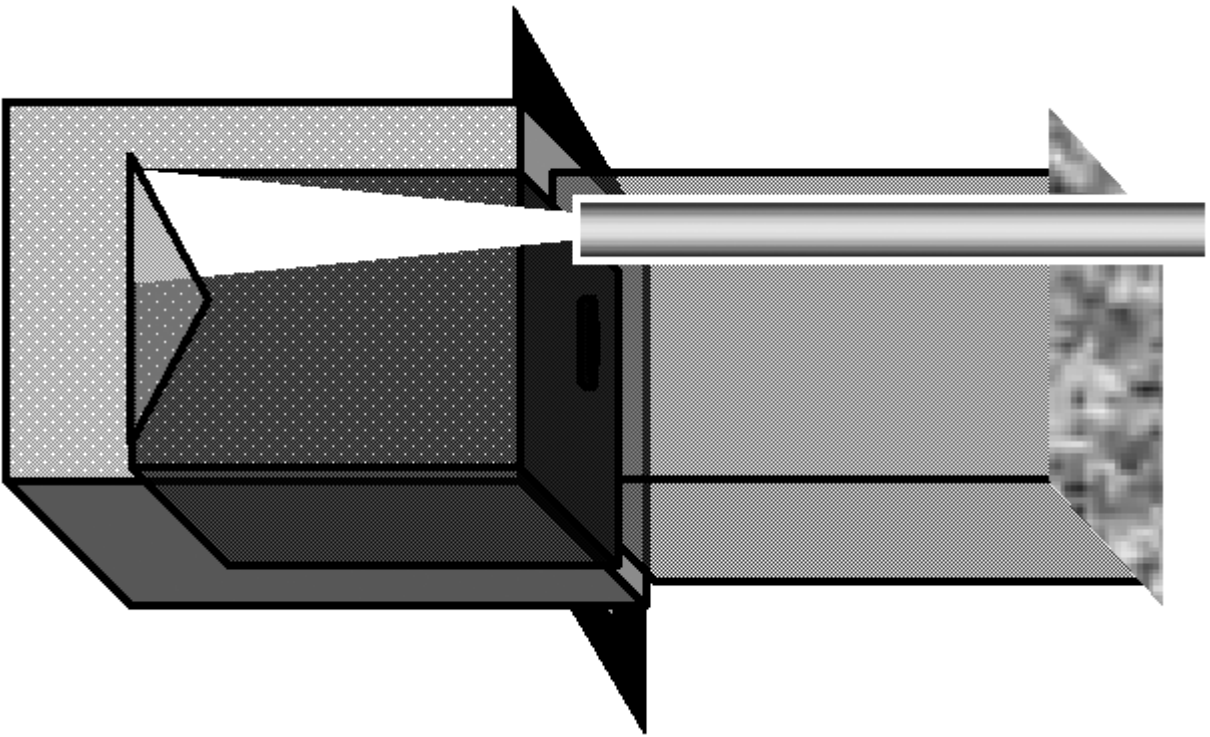
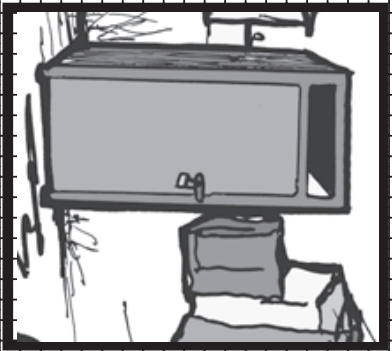
Visual Aids developed by J. Waterkeyn, (Africa AHEAD) for City Health Department, Cape Town, 2007.
Funded by Danida / Hygiene Promotion Partnership.





SANITATION

S18



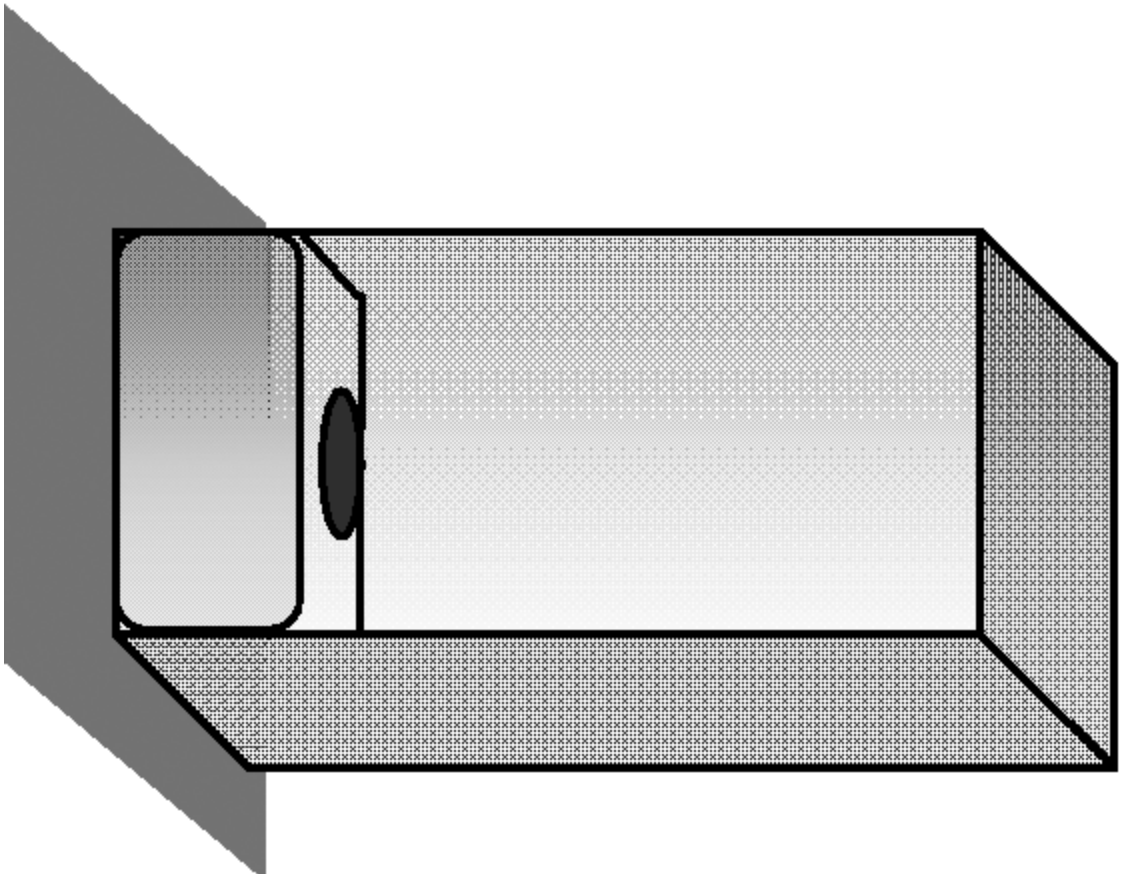
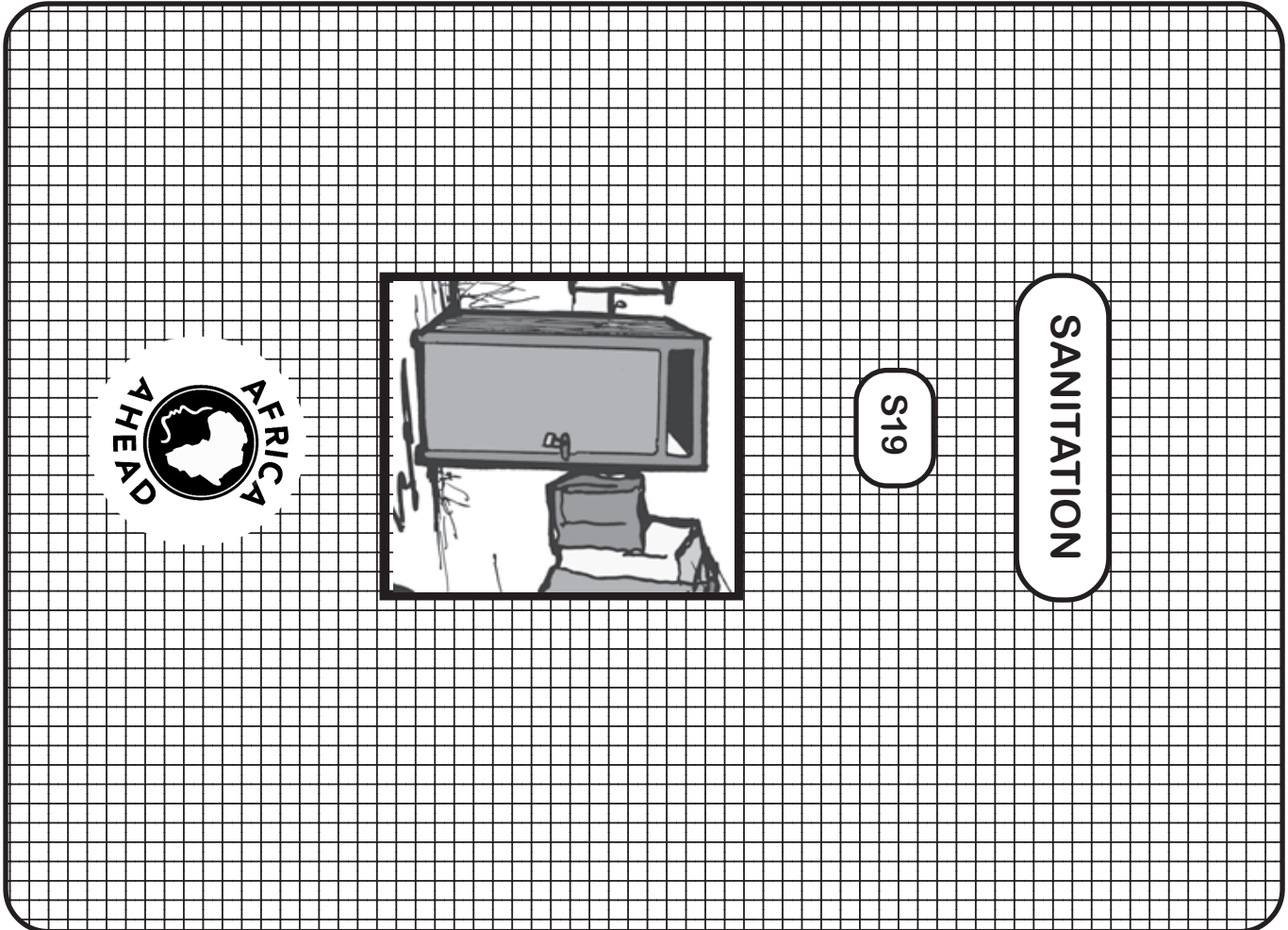
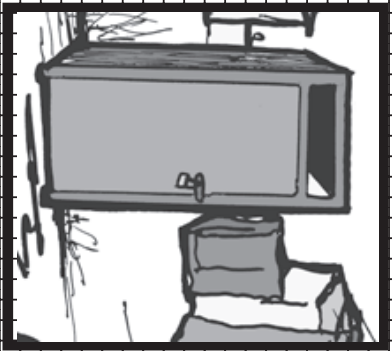
Visual Aids developed by J. Waterkeyn, (Africa AHEAD) for City Health Department, Cape Town, 2007.
Funded by Danida / Hygiene Promotion Partnership.





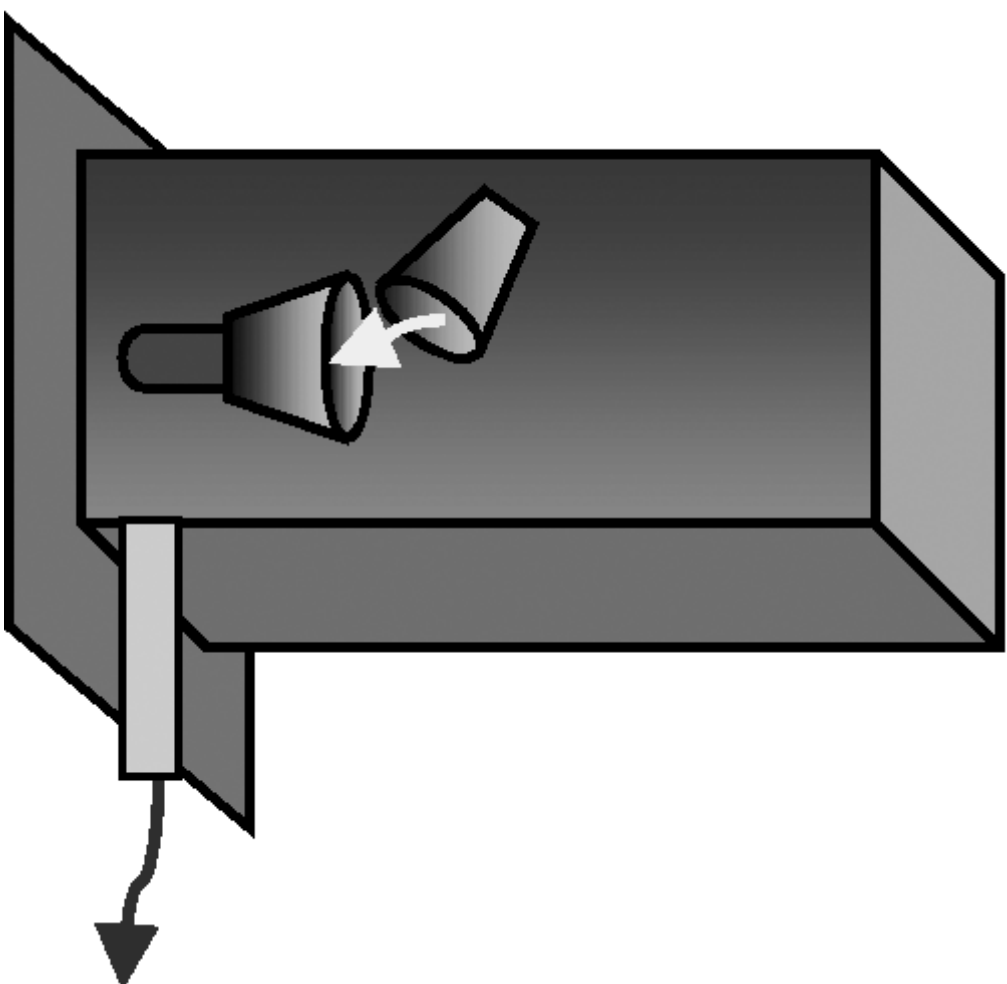
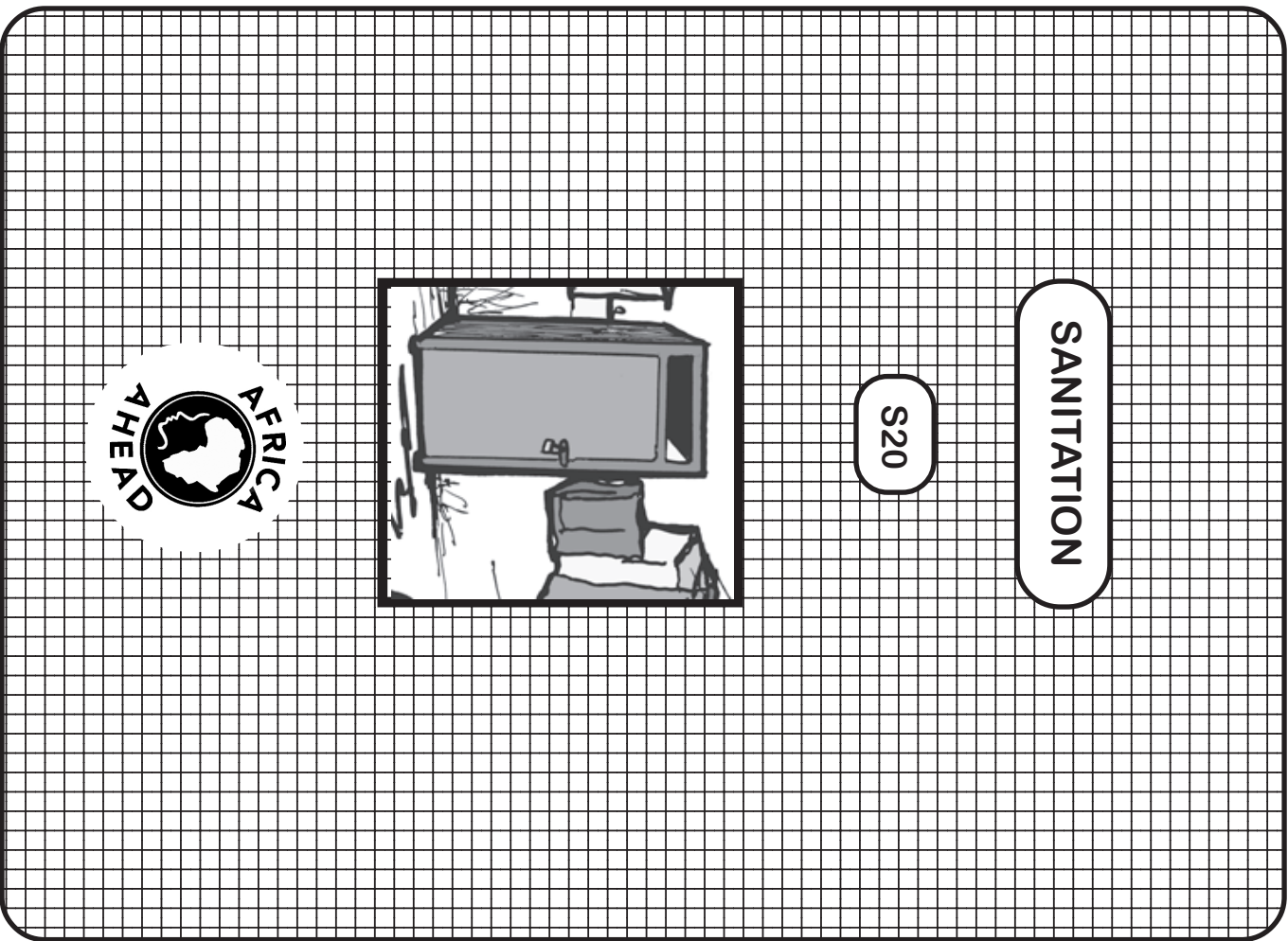
SANITATION

S19



Visual Aids developed by J. Waterkeyn, (Africa AHEAD) for City Health Department, Cape Town, 2007.
Funded by Danida / Hygiene Promotion Partnership.

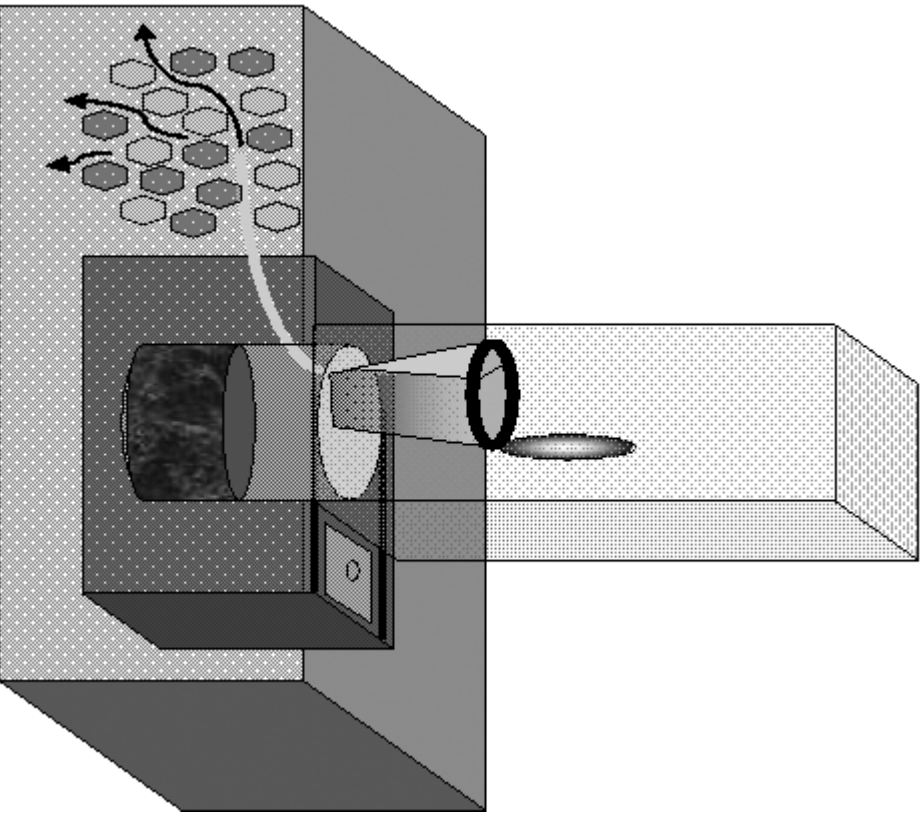








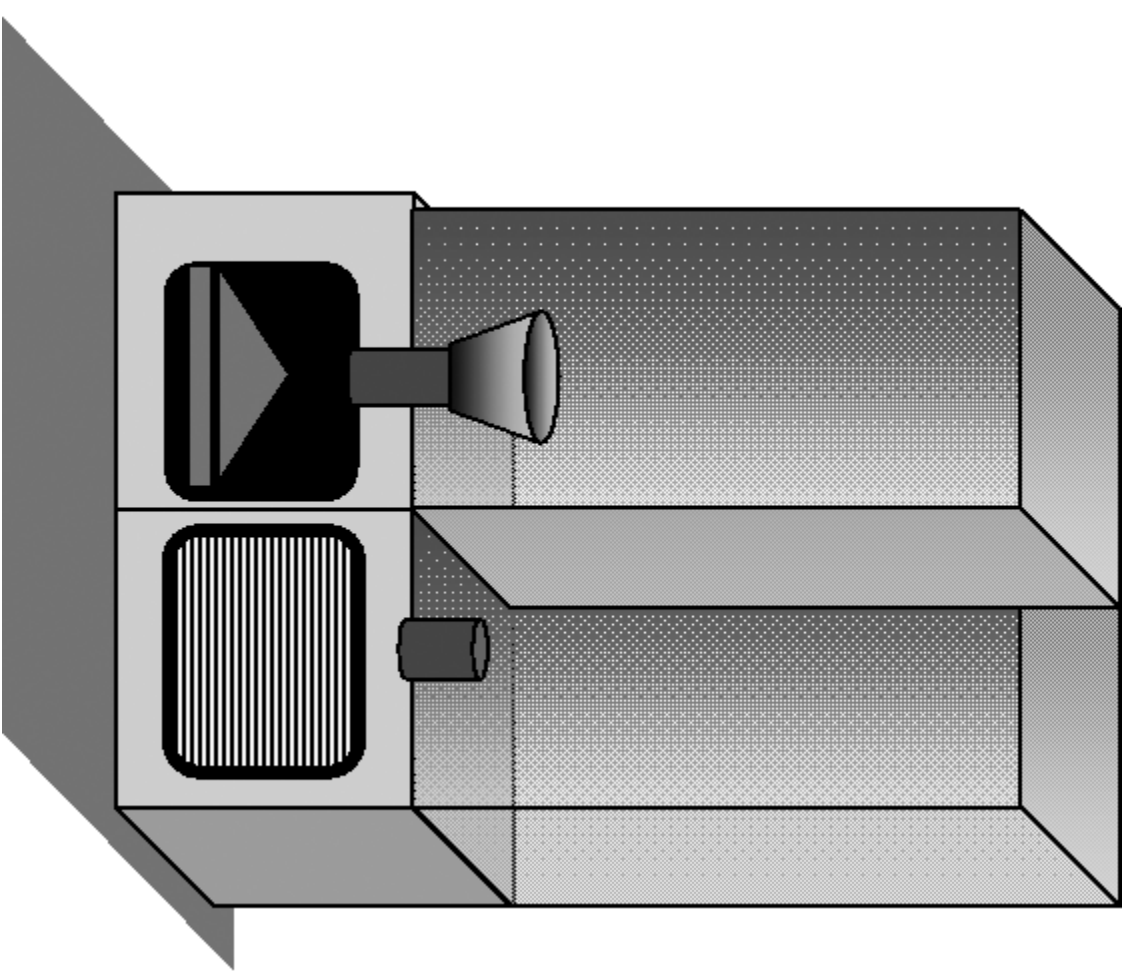
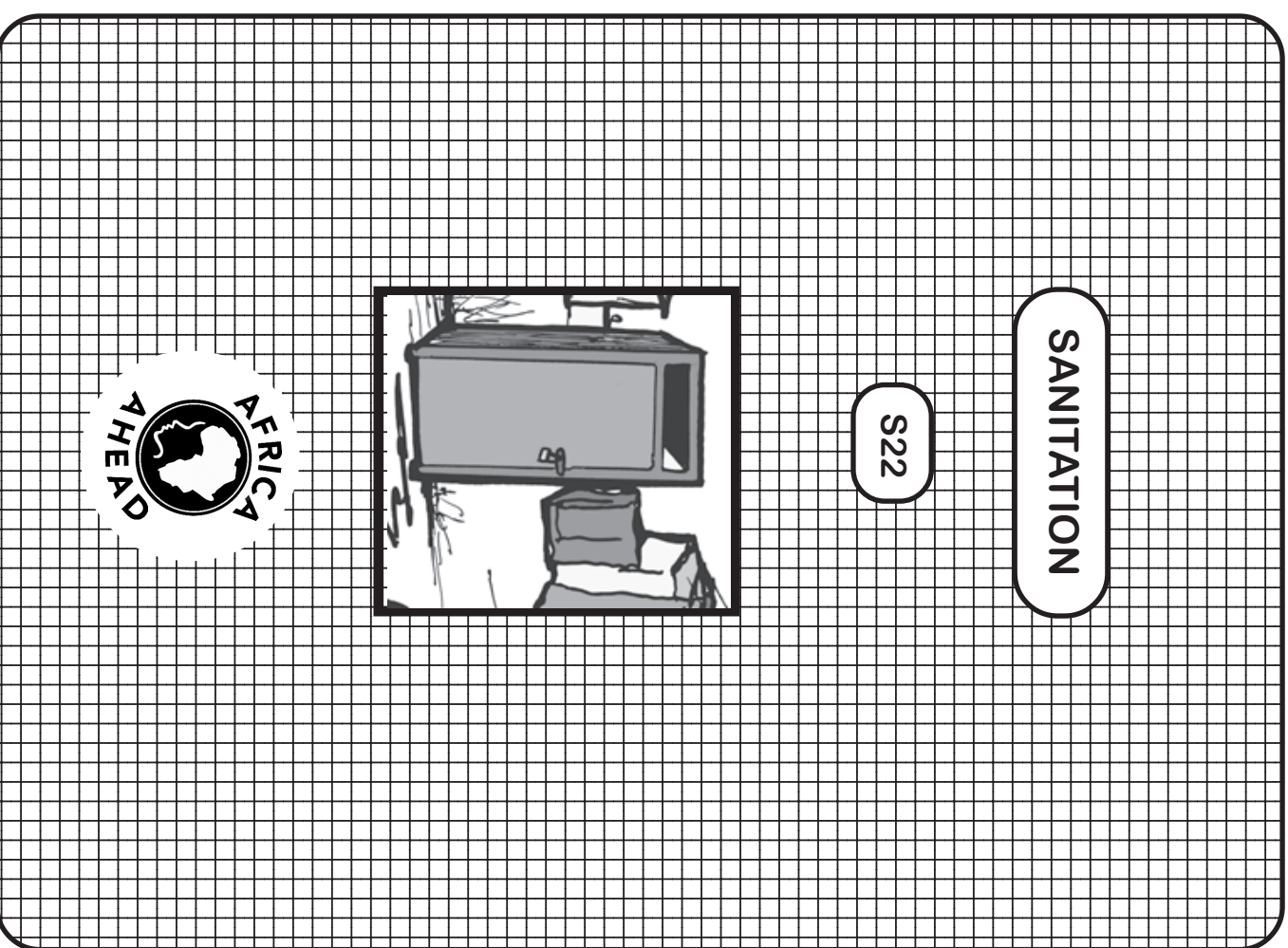
SANITATION

S21



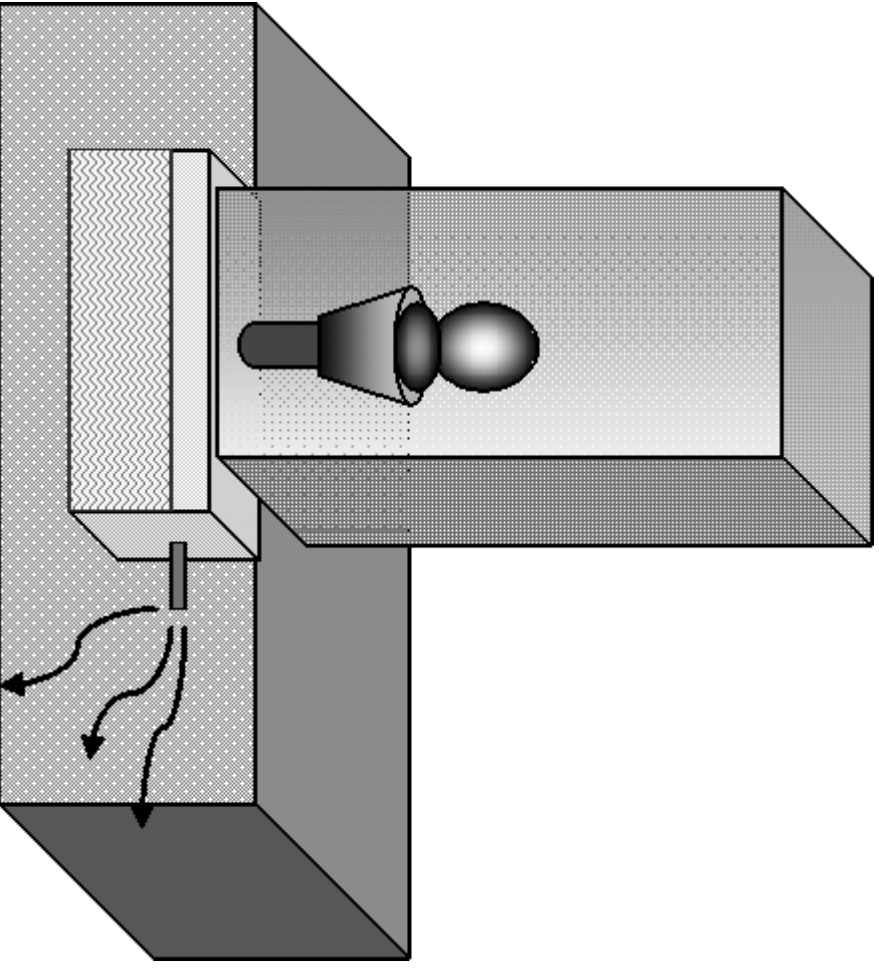
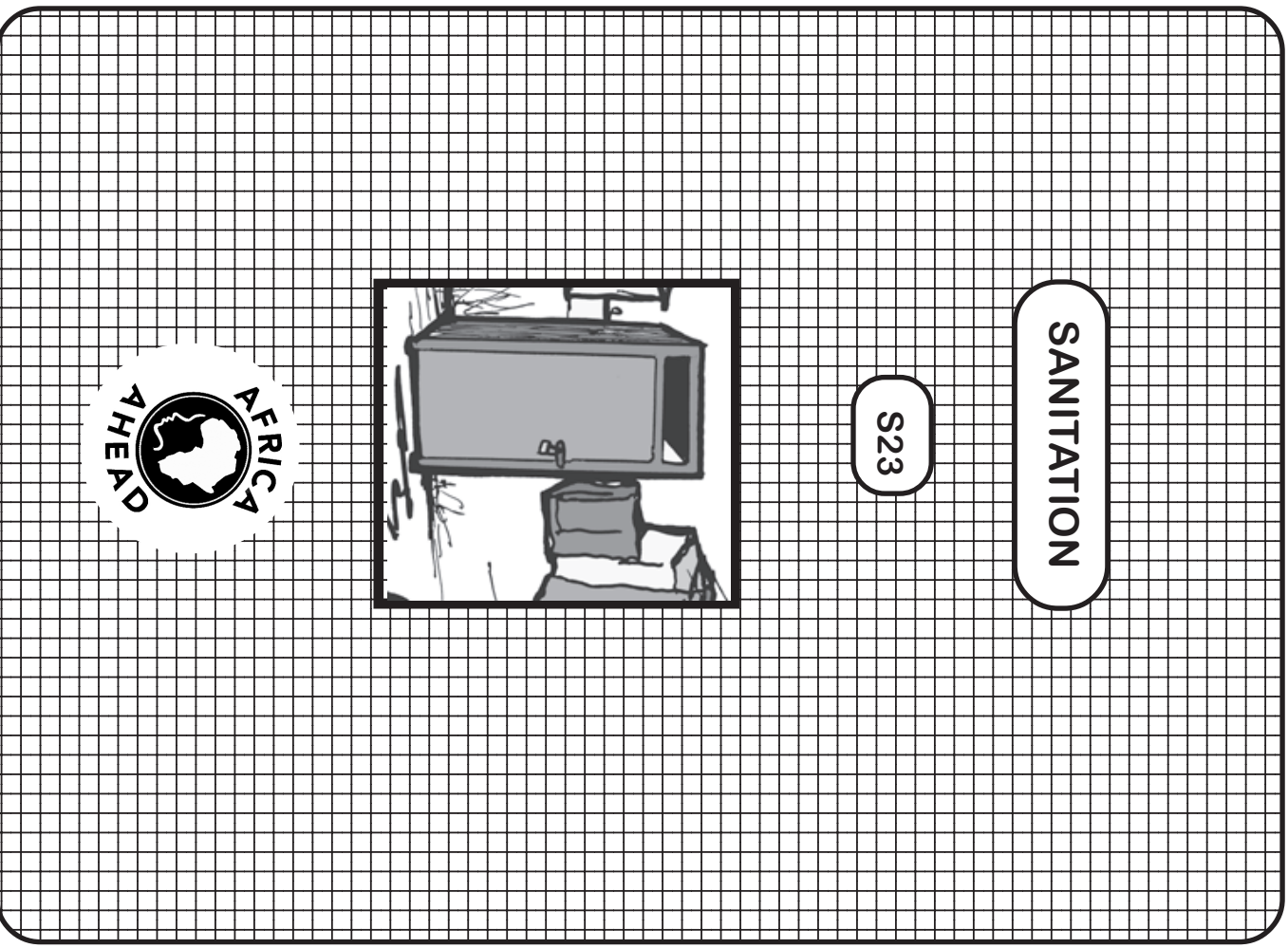
Visual Aids developed by J. Waterkeyn, (Africa AHEAD) for City Health Department, Cape Town, 2007.
Funded by Danida / Hygiene Promotion Partnership.





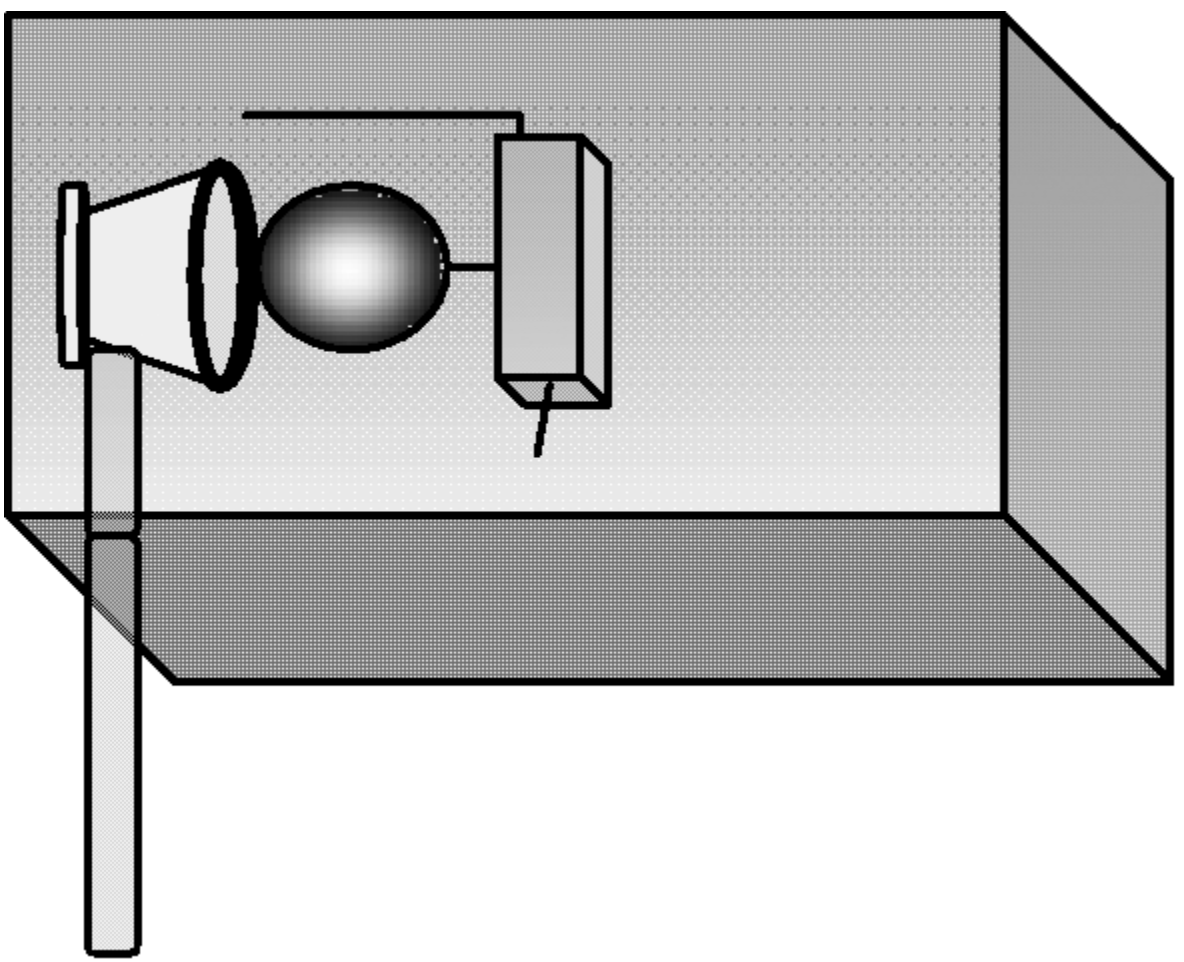
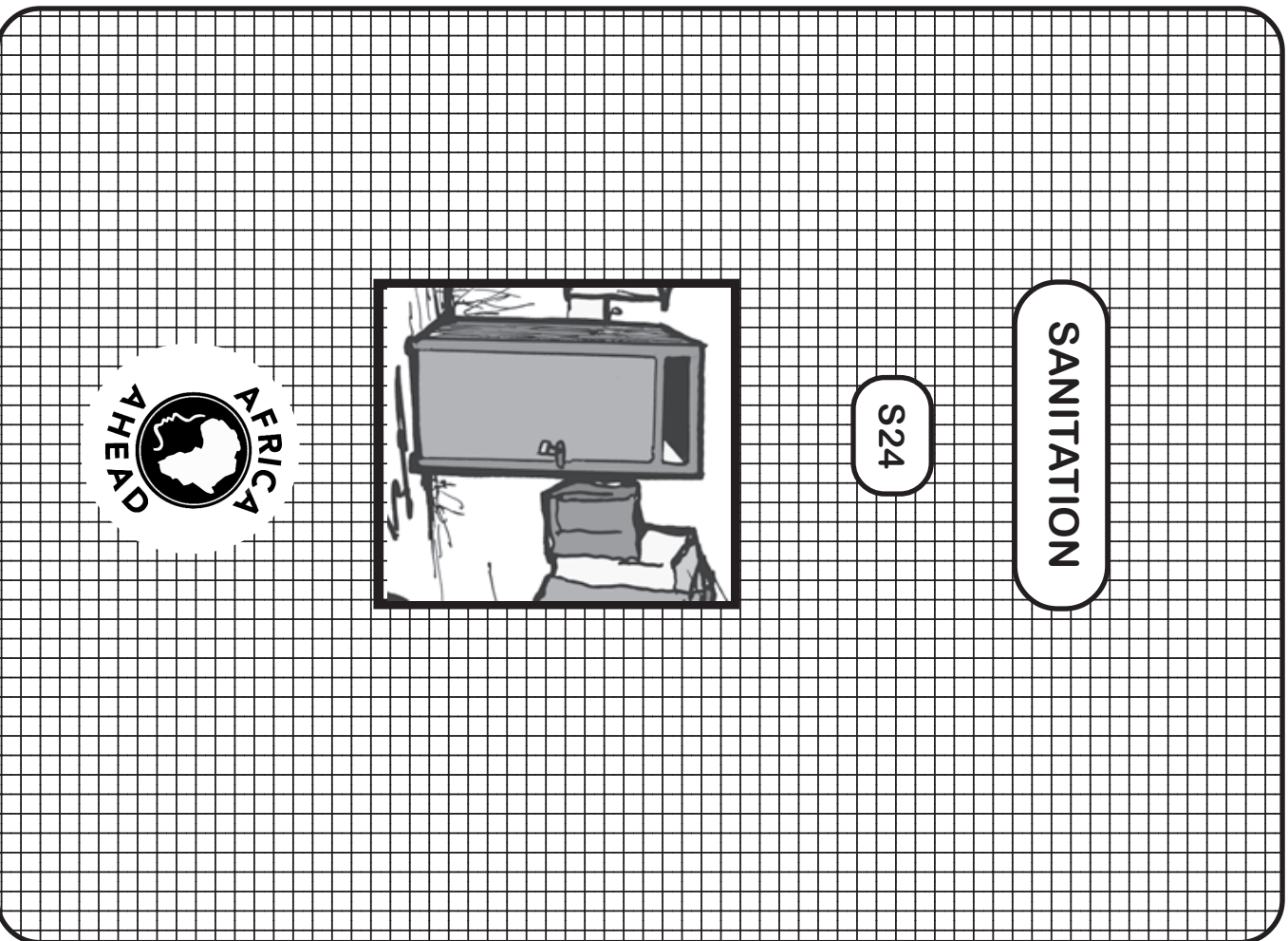
Visual Aids developed by J. Waterkeyn, (Africa AHEAD) for City Health Department, Cape Town, 2007.
Funded by Danida / Hygiene Promotion Partnership.





Visual Aids developed by J. Waterkeyn, (Africa AHEAD) for City Health Department, Cape Town, 2007.
Funded by Danida / Hygiene Promotion Partnership.





Visual Aids developed by J. Waterkeyn, (Africa AHEAD) for City Health Department, Cape Town, 2007.
Funded by Danida / Hygiene Promotion Partnership.

